

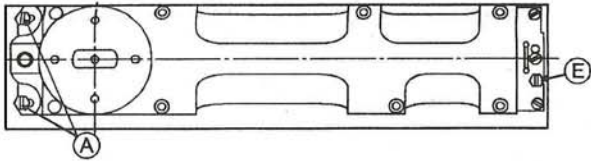


LOCATIONS TO SERVE THE INDUSTRIES THROUGHOUT NORTH AMERICA AND EUROPE
 C.R. Laurence Co., Inc. Toll Free Phone (800) 421-6144 Fax(800) 262-3299
 http://www.crlaurence.com

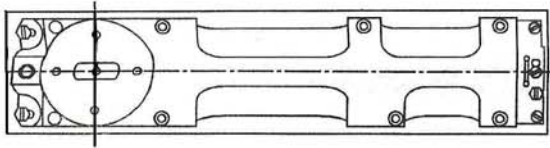
CRL HEAVY WEIGHT, FLOOR MOUNT DOOR CLOSERS

CRL8500

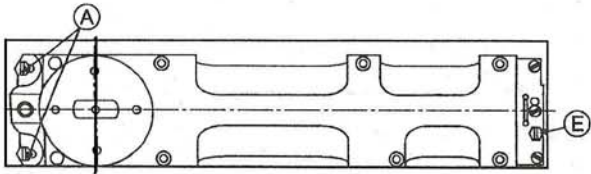
INSTALLATION INSTRUCTIONS



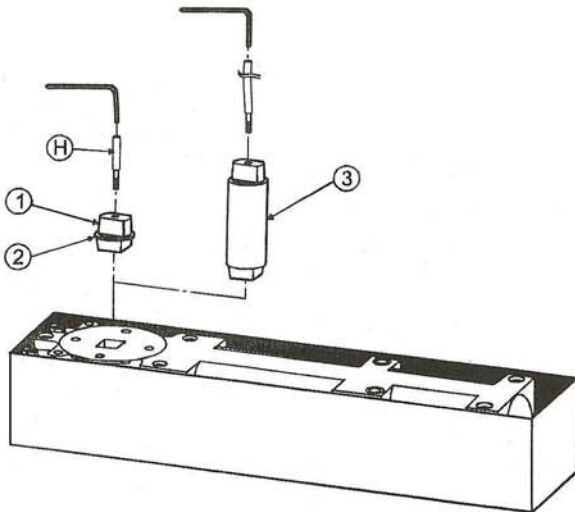
**Right-Hand Door
 (Left-Hand Reverse Bevel)**
 Loosen mounting screws (A) and (E)
 Move closer in cement box as illustrated.



Double Acting Door
 Floor closer should be positioned in
 center of cement box.



**Left-Hand Door
 (Right-Hand Reverse Bevel)**
 Loosen mounting screws (A) and (E)
 Move closer in cement box as illustrated.

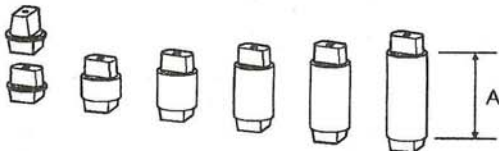


Exchange of spindle insert

Remove screw (H) with allen ranch (5mm) and
 remove standard spindle insert (1).
 Push dust cap (2) into groove of extended spindle
 inset (3). Fit extended spindle into closer and
 tighten securely.

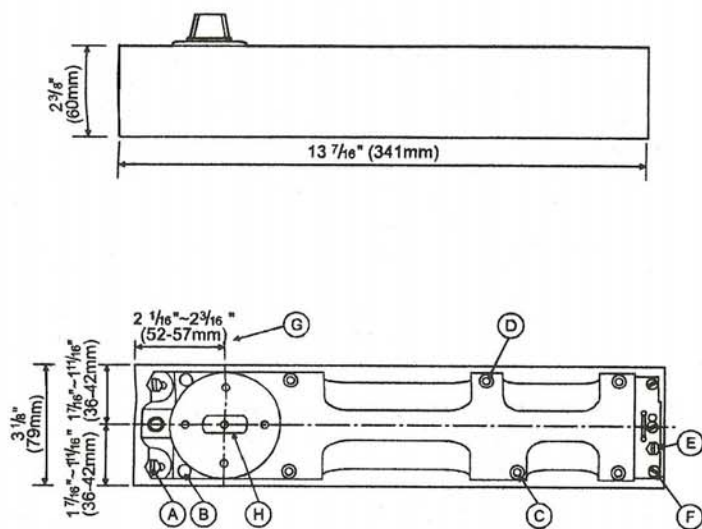
Interchangeable Spindles

CAT. NO	COLLAR (A) HEIGHT	DOOR CLEARANCE
CRL9040S3	*1/8"(3 mm)	5/16"(8 mm)
CRL9040S8	5/16"(8 mm)	1/2"(13 mm)
CRL9040S13	1/2"(13 mm)	11/16"(17 mm)
CRL9040S18	3/4"(18 mm)	15/16"(24 mm)
CRL9040S23	7/8"(23 mm)	1-1/16"(27 mm)
CRL9040S28	1-1/8"(28 mm)	1-5/16"(33 mm)
CRL9040S33	1-5/16"(33 mm)	1-7/16"(37 mm)

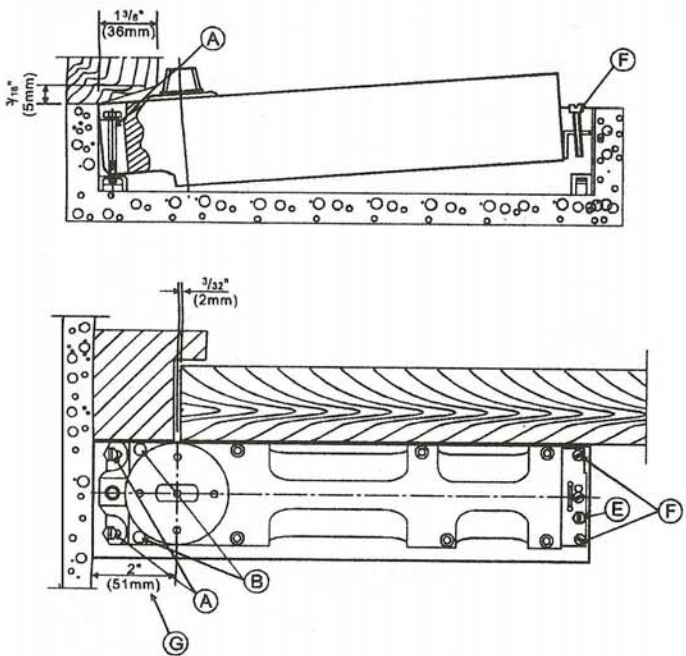


*Standard Spindle Supplied with Closer

CRL8500
INSTALLATION INSTRUCTIONS



- A = Mounting Screws
- B = Height Adjustment Screws
- C = Latching Speed Valve
- D = Closing Speed Valve for Closing Speed
- E = Mounting Screws
- F = Height Adjustment Screws
- G = Spindle Backset Adjustment
- H = Changeable Spindle



Installation

- (1) The cement case must be installed to allow for a pivot center-line dimension of $2 \frac{3}{4}''$ (70mm) backset from finished door jamb. The spindle backset **G** can be adjusted + $1/8''$ (3mm) within the cement case.
- (2) The cement case top must be flush with the finished floor. The closer body can be raised approximately $1/8''$ (3mm) with screws **B** & **F**. **The Closer Must Remain Level.** Use the appropriate spindle size to achieve the desired clearance.
- (3) Adjust the closer body as required for center-hung or offset applications. Use Screws **A** & **E** to secure the closer body in the cement case.
- (4) Hold-open: Available for 90° , 105° or no hold open. Without hold open, the max door opening can be 180° .

Speed Adjustable

- 1) **Valve D:** Closing speed adjustable between $180^\circ \sim 15^\circ$ angle (In condition of no hold open)
- 1) **Valve C:** Closing speed adjustable between $15^\circ \sim 0^\circ$ angle

